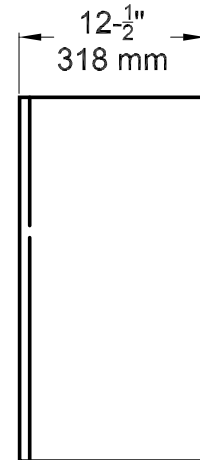
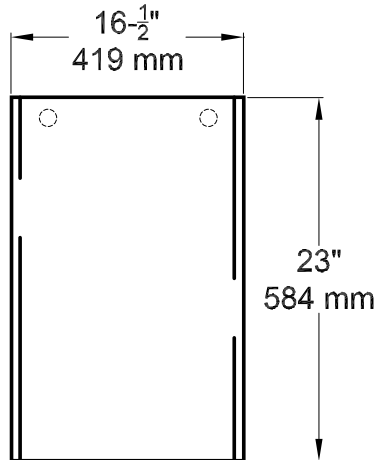




WR-141-200

Technical Data Sheet

Waste Receptacle Surface Mounted – Twenty Gallons



Front View

Side View

MATERIALS: The unit is fabricated of 22 gauge, type 304 stainless steel, No.4 satin finish

SPECIFICATIONS: The surface mounted waste receptacle is fabricated of #22 gauge, type 304 stainless steel, No. 4 satin finish. Receptacle has hemmed top and bottom edges for safety. All welded construction. Twenty gallons (76L) capacity. Holds furnished, reusable vinyl liner, and waste receptacle is removable.

CAPACITY: 20 Gallons (76 L)

OVERALL SIZE: 16 1/2" W x 23" H x 12 1/2" D
(419 mm W x 584 mm H x 318 mm D)

***INSTALLATION:** Mount 30" (762 mm) to top of unit. Overall dimensions are 16 1/2" W x 23" H x 12 1/2" D (419 mm W x 584 mm H x 318 mm D).

*Wood blocking should be used behind walls for anchoring. The following are recommended if wood blocking is not available: For tile masonry – plastic or lead anchors. For plaster or dry wall – toggle bolts.

The manufacturer reserves the right, without formal notification, to implement changes to the design and dimensions.
© 2008 Columbia Accessories
Edition: WR-141-200/001



PO Box 181, Columbia, SC 29202
Phone: 1-866-820-3579 Fax: 1-866-317-2786
Web Site: <http://www.natpart.com>