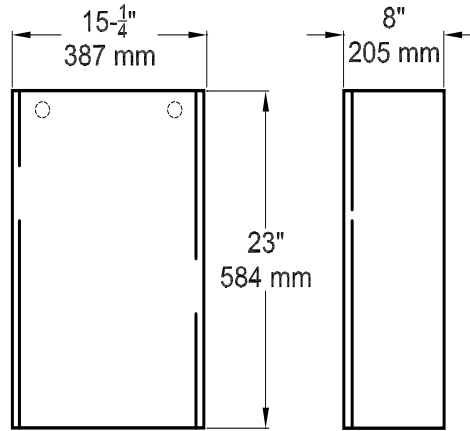




WR-121-200

Technical Data Sheet

Waste Receptacle Surface Mounted – Twelve Gallons



Front View

Side View

MATERIALS: The unit is fabricated of 22 gauge, type 304 stainless steel, No.4 satin finish

SPECIFICATIONS: Surface mounted waste receptacle is fabricated of 22 gauge, type 304 stainless steel, No.4 satin finish. Receptacle has hemmed top and bottom edges for safety. All welded construction. 12 gallons capacity (46 L).

CAPACITY: 12 Gallons (46 L)

OVERALL SIZE: 15 1/4" W x 23" H x 8" D
(387 mm W x 582 mm H x 203 mm D)

***INSTALLATION:** Mount 30" (762 mm) to top of unit. Overall dimensions are 15 1/4" W x 23" H x 8" D (387 mm W x 582 mm H x 203 mm D).

*Wood blocking should be used behind walls for anchoring. The following are recommended if wood blocking is not available: For tile masonry – plastic or lead anchors. For plaster or dry wall – toggle bolts.

The manufacturer reserves the right, without formal notification, to implement changes to the design and dimensions.
© 2008 Columbia Accessories
Edition: WR-121-200/001



PO Box 181, Columbia, SC 29202
Phone: 1-866-820-3579 Fax: 1-866-317-2786
Web Site: <http://www.natpart.com>